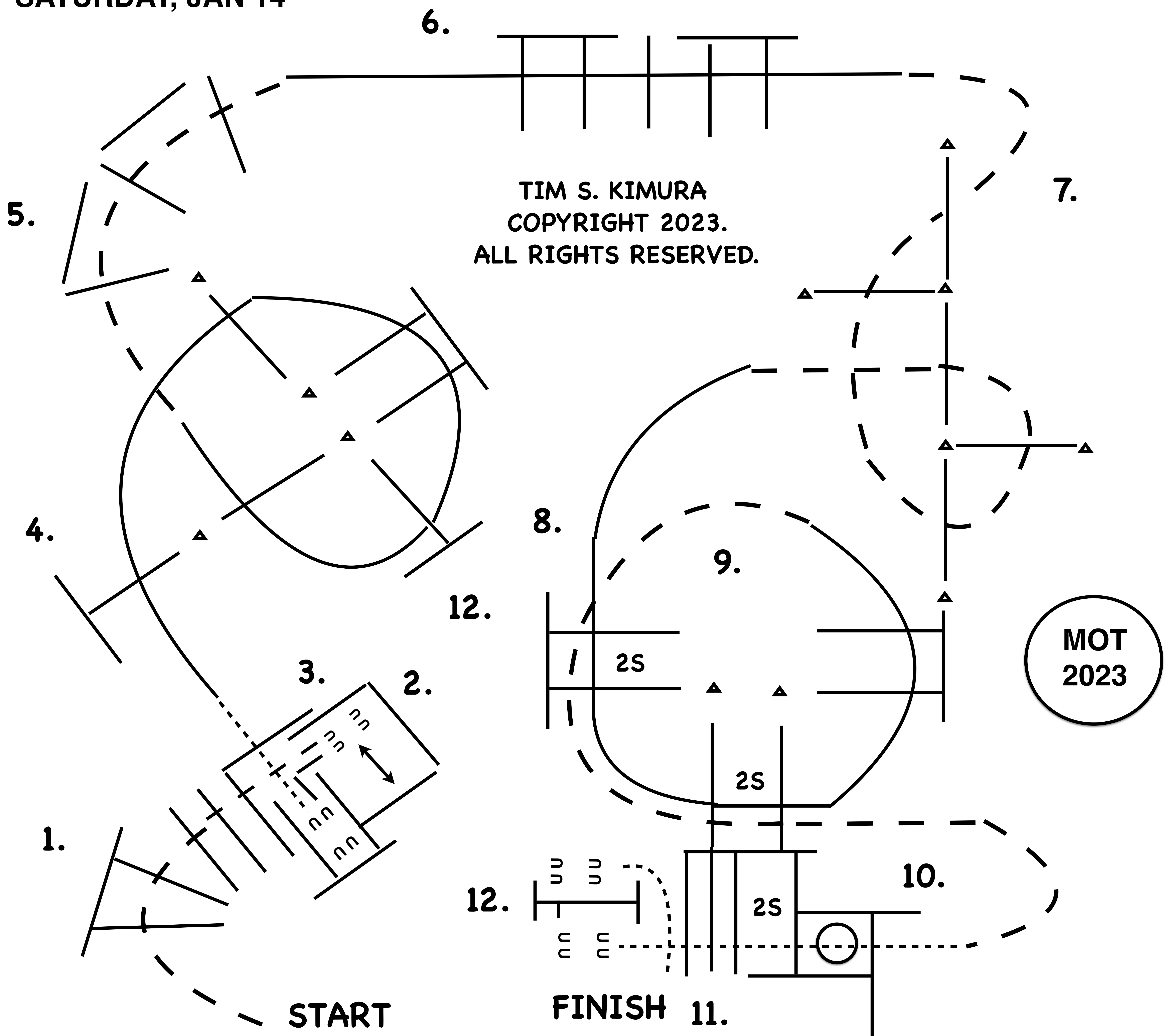


**2023 FOX LEA FARMS**  
**"FUN IN THE SUN"**

**AMATEUR & SELECT TRAIL**  
**YOUTH & SENIOR TRAIL**

**SATURDAY, JAN 14**



1. JOG OVER POLES AND JOG INTO CHUTE
2. SIDE PASS RIGHT, AND SIDE PASS LEFT
3. BACK OUT GAP, BACK AROUND CORNER. WALK OUT CHUTE AND OVER POLE.
4. LOPE OVER POLES (RIGHT LEAD).
5. BREAK TO THE JOG, JOG OVER POLES.
6. LOPE OVER POLES (RIGHT LEAD).
7. BREAK TO THE JOG, JOG THROUGH SERPENTINE, JOG OVER POLES.

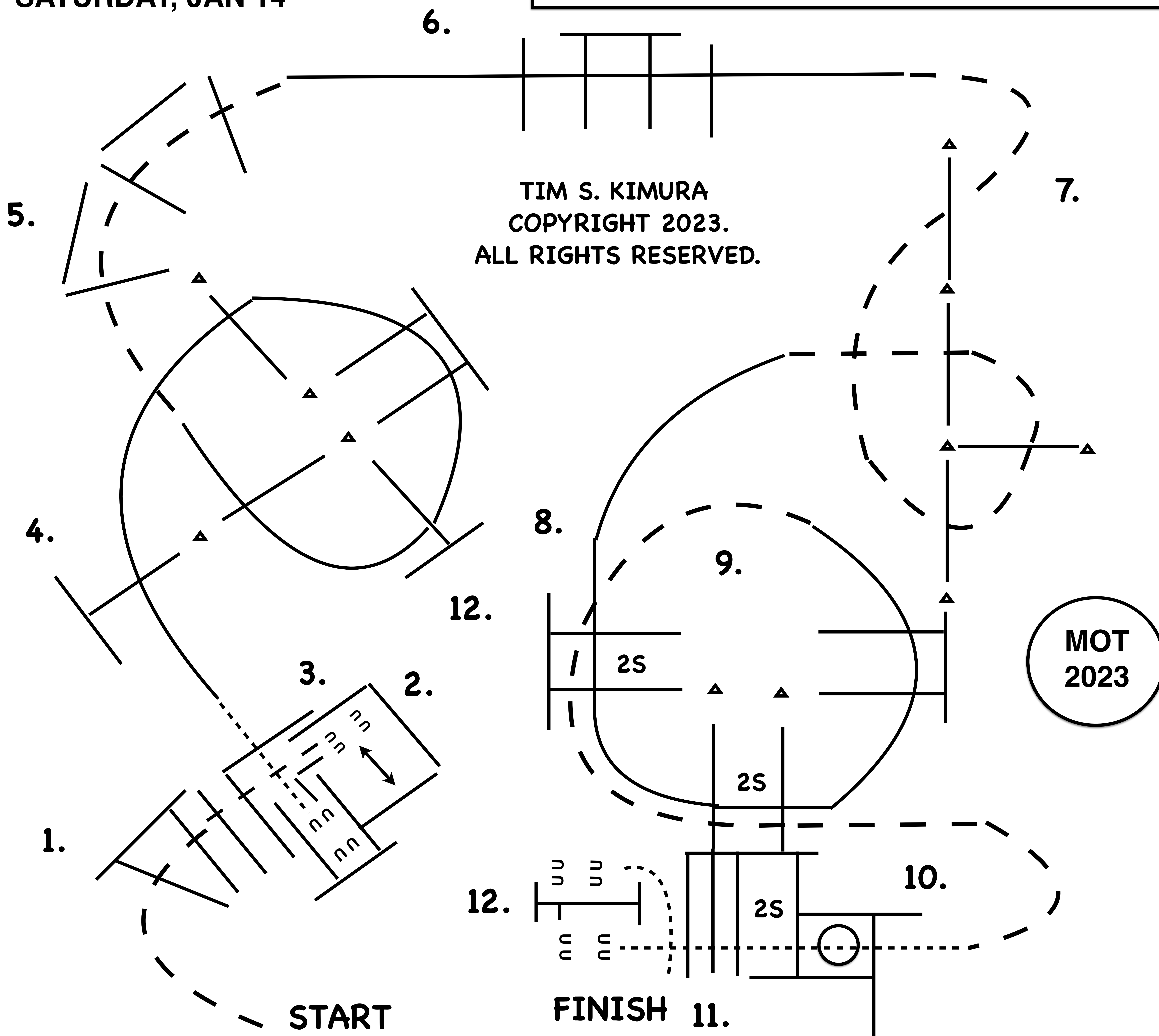
8. LOPE OVER POLES (LEFT LEAD).
9. BREAK TO THE JOG, JOG OVER POLES.
10. STOP OR BREAK TO THE WALK, WALK INTO BOX, EXECUTE A 360 TURN EITHER WAY, WALK OUT BOX.
11. WALK OVER POLES, WALK UP TO GATE.
12. WORK GATE RIGHT HAND.

# 2023 FOX LEA FARMS

## "FUN IN THE SUN"

SATURDAY, JAN 14

L1 JUNIOR - L1 SENIOR  
L2,L3 JUNIOR TRAIL  
L1 AMATEUR - L1 YOUTH



1. JOG OVER POLES AND JOG INTO CHUTE
2. SIDE PASS RIGHT, AND SIDE PASS LEFT
3. BACK OUT GAP, BACK AROUND CORNER. WALK OUT CHUTE AND OVER POLE.
4. LOPE OVER POLES (RIGHT LEAD).
5. BREAK TO THE JOG, JOG OVER POLES.
6. LOPE OVER POLES (RIGHT LEAD).
7. BREAK TO THE JOG, JOG THROUGH SERPENTINE, JOG OVER POLES.

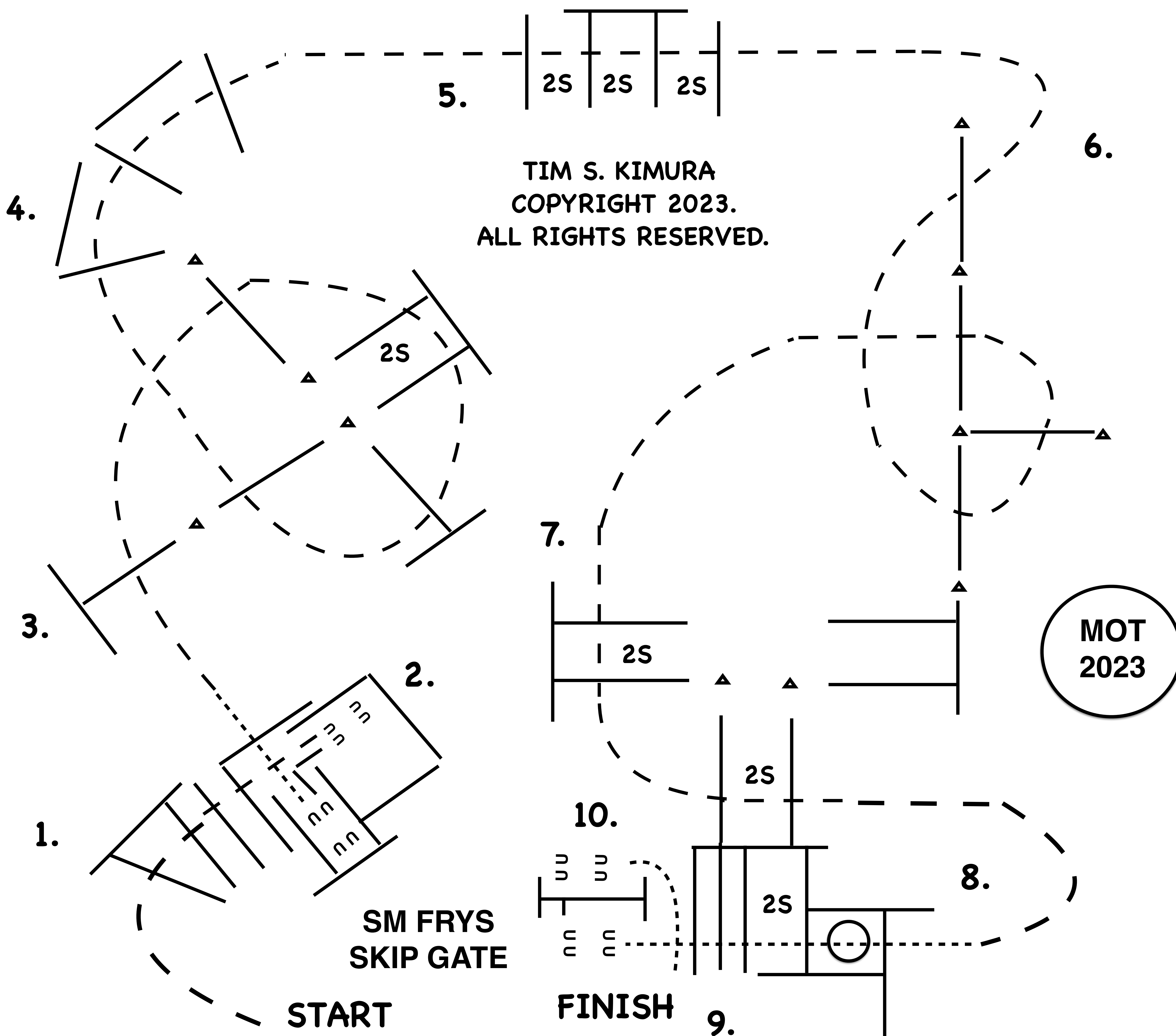
8. LOPE OVER POLES (LEFT LEAD).
9. BREAK TO THE JOG, JOG OVER POLES.
10. STOP OR BREAK TO THE WALK, WALK INTO BOX, EXECUTE A 360 TURN EITHER WAY, WALK OUT BOX.
11. WALK OVER POLES, WALK UP TO GATE.
12. WORK GATE RIGHT HAND.

# 2023 FOX LEA FARMS

## "FUN IN THE SUN"

SATURDAY, JAN 14

# SMALL FRY TRAIL L1 AMATEUR W/T TRAIL L1 YOUTH W/T TRAIL



TIM S. KIMURA  
COPYRIGHT 2023.  
ALL RIGHTS RESERVED.

MOT  
2023

1. JOG OVER POLES AND JOG INTO CHUTE
2. BACK AROUND CORNER.  
WALK OUT CHUTE AND OVER POLE.
3. JOG OVER POLES.
4. JOG OVER POLES.
5. JOG OVER POLES.
6. JOG THROUGH SERPENTINE,  
JOG OVER POLES.

7. JOG OVER POLES.
8. STOP OR BREAK TO THE WALK, WALK  
INTO BOX, EXECUTE A 360 TURN EITHER  
WAY, WALK OUT BOX.
9. WALK OVER POLES, WALK UP TO GATE.
10. WORK GATE RIGHT HAND.